

Hard-wired AC Surge Protectors

MSB-HF, MSB, MSB10



MSB



MSB10C



MSB6

These surge protector units are designed to protect a single-phase input and are recommended for mounting on a board or in a utility box. This series lets you choose a product by housing (metal or plastic), dimensions, performance, connection mode (series or parallel), or type of connection (wires or screw terminal block). These surge protector comply with IEC 61643-1 or EN 61643-11, Class 2 or Class 3 Test.

MSB-HF :

Metal box with output by wires, with 3-stage protection:

- Gas discharge tube stage for a high discharge current capacity.
- RFI filtering stage to limit RF interference.
- Clamping stage for low residual voltage.

MSB :

Simplified version of the MSB-HF with a 1-stage surge protection, connected to the network in parallel.

MSB10 range :

This compact plastic housings include an electrical diagram based on thermally protected varistors and gas tube. The units are equipped with a led to indicate the right operation of the surge protection circuit.

When the led is switched off, it indicate, that the protector is disconnected following a major defect.

- **MSB10** : Parallel connection to AC line and mounting on wall or plate by self-adhesive tape.
- **MSB10C** : Enclosure with cap and removable protection circuit. Connection through screw terminal. Wall mounting.
- **MSB10V** : Connection through screw terminal. Wall mounting.
- **MSB6** : Ultra compact version to include inside AC outlet. End of life warning by buzzer.

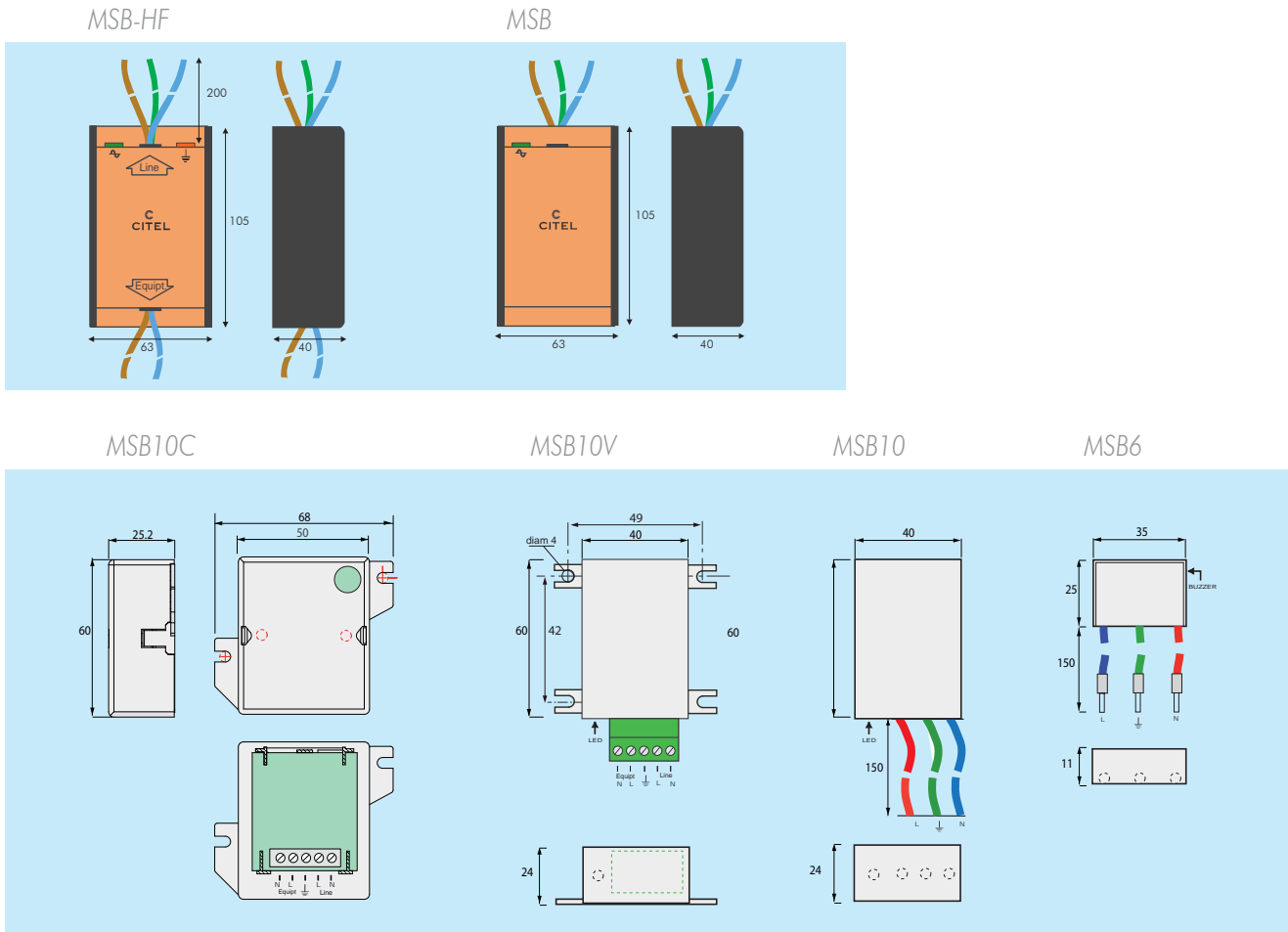
Characteristics

Référence CITEL	MSB-HF		MSB		MSB10		MSB10C	MSB10V	MSB6
	MSB-230HF	MSB-130HF	MSB-230	MSB-130	MSB10-400	MSB10-120	MSB10C-400	MSB10V-400	MSB6-400
AC network	230 Vac	110-130 Vac	230 Vac	110-130 Vac	230 Vac	110-130 Vac	230 Vac	230 Vac	230 Vac
Max. operating voltage - U _c	255 V	150 V	255 V	150 V	255 V	150 V	255 V	255 V	255 V
Maximum line current	16 A	16 A	-	-	-	-	16 A	16 A	-
Protection level - U _p	0.9 kV	0.6 kV	1.5 kV	1 kV	1.5 kV	1 kV	1.5 kV	1.5 kV	1.5 kV
Maximum discharge current - I _{max} (1 impulse @ 8/20µs)	10 kA	10 kA	10 kA	10 kA	10 kA	10 kA	5 kA	5 kA	5 kA
Maximum discharge current - I _n (15 impulses @ 8/20µs)	3 kA	3 kA	3 kA	3 kA	2.5 kA	2.5 kA	2.5 kA	2.5 kA	2.5 kA
RFI filter	0,1 - 30 MHz	0,1 - 30 MHz	none	none	none	none	none	none	none
- Attenuation @ 0,3 MHz	25 dB	25 dB							
- Attenuation @ 1 MHz	30 dB	30 dB							
- Attenuation @ 10 MHz	40 dB	40 dB							
Fail-safe	disconnection and AC line cut off	disconnection and AC line cut off	disconnection	disconnection	disconnection	disconnection	disconnection and AC line cut off	disconnection and AC line cut off	disconnection
Disconnection signalling	green light off	green light off	green light off	green light off	green light off	green light off	green light off	green light off	Buzzer
No-connection to earth signalling	orange light off	no	no	no	no	no	no	no	no
Wiring	wires	wires	wires	wires	wires	wires	screw terminal	screw terminal	wire
Mounting	wall	wall	wall	wall	wall	wall	wall	wall	AC outlet

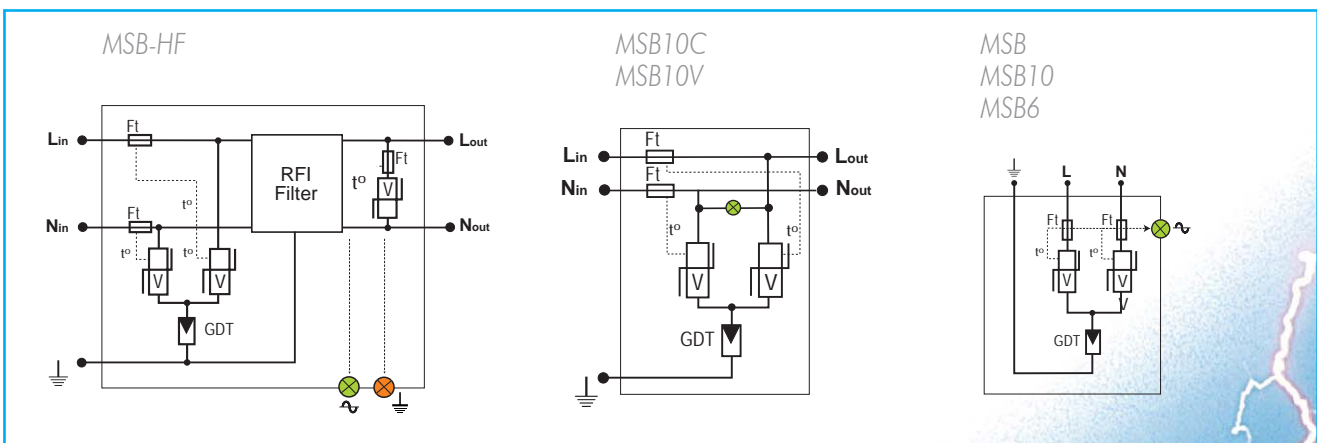
Hard-wired AC Surge Protectors

MSB-HF, MSB, MSB10

Dimensions (in mm)



Electrical diagrams



- Wide range of hard-wired AC Surge Protectors
- Surge/RFI Protection version
- Operating indicators
- Comply with IEC 61643-1